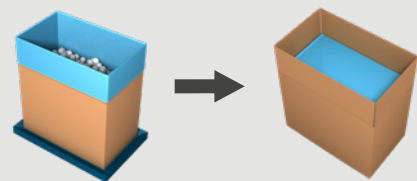


BAG DECUFFER FOLDER DF-31

The compact DF-31 automatically decuffs, regussets and closes the bag by folding.



COMBINE WITH
**THE CASE
CLOSER**

Protect your product

- The DF-31 guarantees a **perfect bag folding** to avoid contact between the product and carton.
- Minimal moving parts above the filled case.
- **Reclosable.**

Maximize your productivity

- Up to **17 cases / minute.**
- **Big box range.**
- Quick format change.
- Maximum uptime by design and interconnectivity.
- **15" HMI** to facilitate operator convenience.

TECHNICAL SPECIFICATIONS

Perfectly controlled bag folding

- Intelligent stepper driven regusset system.
- Pneumatic driven folding plates. To ensure food safety the pneumatic drive system is not positioned above the filled case.
- Bi-directional folding ensures perfect bag closing and avoids contact between product and carton.
- Dust-free vacuum decuffing for maximum food safety (optional).

High speed

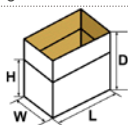

- Heavy duty roller conveyor and adjustable stopper system for high speed case transfer of filled boxes.

Hygienic balcony design, easy to clean

- Cleaning mode: to facilitate an improved cleaning accessibility.

Equipped with:

- 15" HMI for easy operation
- Remote access point (one per line)
- Mechanical bag decuffing

CONTAINER SPECIFICATIONS (For other dimensions, please contact Pattyn)	
Type	Cases, trays, crates
Range (L x W x H // D) mm	Multi footprint Min. 300 (L) x 200 (W) x 100 (H) * Max. 650 (L) x 410 (W) // 650 (D) *Trays minimum height 200 mm
	Outside dimensions
FILM SPECIFICATIONS	
Type	PE (LDPE, HDPE)
Thickness	As from 10 µm
	$X = L + 15$ $Y = (W + 25) / 2$ $140 \leq Q \leq 180 \text{ mm}$
OUTPUT AND CONSUMPTION	
Output	Up to 17 c/min Up to 15 c/min for oils & fats
Installed power	2 kW
Voltage	3 x 400 V + N + E / 50 Hz
Air supply	6 bar / 1/2" min
Air consumption	20 NI / cycle
Weight	750 kg
OPTIONS (More options are available, please contact Pattyn)	
Decuffer control on regussetting bars for film detection	
Automatic format change	
Vacuum bag decuffing	



Vacuum bag decuffing (optional)



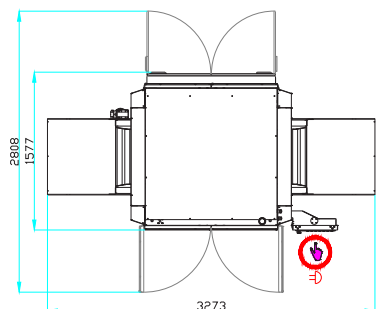
The gusset plates regusset the film



Front film folder



15" HMI



Machine height 2384 mm

Pattyn Packing Lines nv
Industriepark 'Blauwe Toren'
Hoge Hul 2, 8000 Brugge - Belgium

T +32 (0) 50 450 480
info@pattyn.com
www.pattyn.com



The description, pictures and information given have an indicative value. We reserve the right to make changes without notice. Information and content is property of Pattyn. For customised executions please contact Pattyn. DF-31 2021 - V01

PATTYN[®]

Turnkey solutions for industrial packaging.