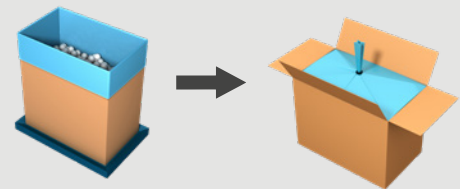


DECUFFER TIE-WRAPPER DTW-21-HE

The DTW-21-HE automatically decuffs the bag, folds it into gusset and tie-wraps the bag.



COMBINE WITH
**THE RAZIM-21
BAGMAKER
INSERTER**

Protect your product

- The tie-wraper guarantees a **tight tamper evident bag closing without sealing.**
- After removing the tie-wrap, the bag remains intact which makes it possible to reclose the bag.
- Minimal moving parts above the filled case.

Easy to use, easy to clean

- High end bag closing solution with easy accessibility for cleaning.
- Optional dust extraction as required in the powder industry.

TECHNICAL SPECIFICATIONS DTW-21-HE

A perfectly tie-wrapped bag

- 4 vacuum decuffer hooks lift the bag on the four corners of the box enabling a full and controlled decuffing.
- Pneumatic driven regusset system with integrated film detection folds the bag into gusset.
- Use of V-shaped clamps to position the film.
- The bag is perfectly closed with a tie-wrap.

Integrated tie-wrap system

- Straps and closures are each supplied on continuous reels, offering a waste-free and optimized material utilization.
- Tension of the tie-wrap is adjustable.

Tamper evident bag closing

- Tamper evident bag closing without heat sealing.
- The bag is reclosable after opening.

Equipped with

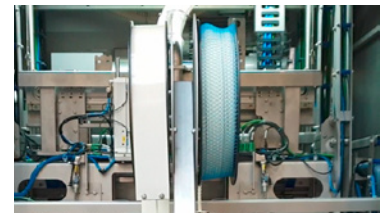
- colour touch panel for easy operation
- remote Access Point (one per line)



Vacuum decuffer hooks



Bag decuffing

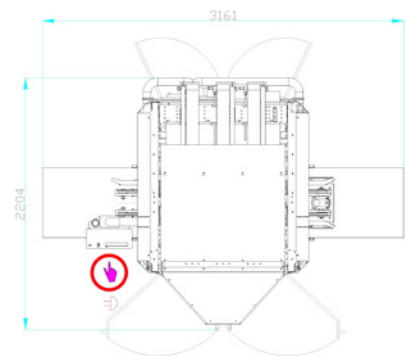


Straps and closures are supplied on continuous reels



Tie-wrapped bag

CONTAINER SPECIFICATIONS (For other dimensions, please contact Pattyn)	
Type	Cases, boxes, trays, crates
Range (L x W x H // D) mm	Mono footprint (LxW) / mono height
	Min. 330 (L) x 250 (W) x 300 (H)
	Max. 500 (L) x 400 (W) x 480 (H)
	Outside dimensions
FILM SPECIFICATIONS	
Type	PE based
Thickness	15 µm – 70 µm
	$X = L + 15$
	$Y = (W + 25) / 2$
	$140 \leq Q \leq 180$ mm
OUTPUT AND CONSUMPTION	
Output	Up to 4 c/min
Installed power	5 kW
Voltage	3 x 400 V + N + E / 50 Hz
Air supply	6 bar / 1/2" min
Air consumption	90 NI / cycle
Weight	1250 kg
OPTIONS (More options are available, please contact Pattyn)	
Dust extraction	



Machine height 2640 mm

Pattyn Packing Lines nv
Industriepark 'Blauwe Toren'
Hoge Hul 2, 8000 Brugge - Belgium

T +32 (0) 50 450 480
info@pattyn.com
www.pattyn.com



The description, pictures and information given have an indicative value. We reserve the right to make changes without notice. Information and content is property of Pattyn. For customised executions please contact Pattyn. DTW-21-HE 2021 - V01