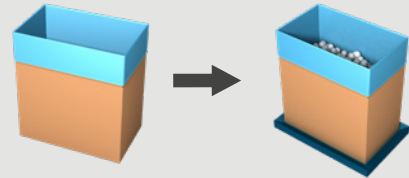


LINEAR VIBRATORY WEIGHFILLER LVF-14A/B-D

The LVF-14A/B-D linear vibratory filler with one or two heads offers the most suitable solution to weigh and fill **small-sized fragile products** requiring low drop height such as **nuts, diced & sliced IQF fruits and vegetables, dried non sticky fruits** and **dry small granular products**.



One head vibratory filler
LVF-14A-D

COMBINE
CONVENIENCE
WITH LOW DROP
HEIGHT

Easy to use, easy to clean

- Your ideal solution for **easy weigh filling** up to 9 c/min.
- Hygienic design.
- **Quick & easy cleaning** for minimum down-time.

Gentle product treatment

- Gross filling **straight into the box** reduces **drop height and number of drops**.

TECHNICAL SPECIFICATIONS LVF-14A/B-D

Easy weigh filling

- Linear vibratory filler with vibrating pan without weigh hopper to feed the product directly into the box.
- 5 mm amplitude of feed pan for fast filling.
- Diverter plate between coarse and fine filling ensures high accuracy.
- Weighing on a scale underneath the carton.

Gross filling straight into the box

- Reduces drop height & number of drops
- Prevents product from sticking in a weigh hopper

For fragile dry bulk products up to 1" x 1" x 1"

- Nuts
- Small-sized IQF fruits & vegetables
- Small-sized dried non-sticky fruits
- Dry small granular products like muesli, coffee beans

Standard equipped with

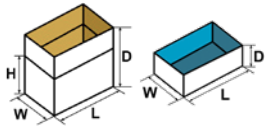
- Colour touch panel for easy operation
- Access point for remote support (one per line)



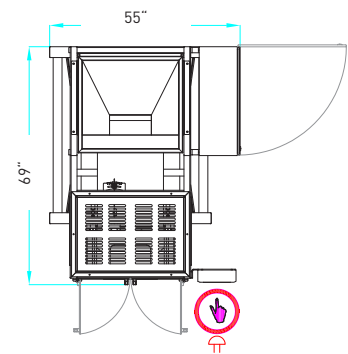
Diverter plate for coarse and fine filling



Low drop height

CONTAINER SPECIFICATIONS (For other dimensions, please contact Pattyn)	
Type	Cases, trays, plastic crates ...
Range (L x W // D) mm	Min. 12" (L) x 8" (W) // 4" (D) Max. 31 1/2 (L) x 19 1/2 (W) // 25 1/2 (D)
	Outside dimensions
OUTPUT AND CONSUMPTION	
Output	LVF-14A-D one head vibratory filler Up to 5 c/min (depending on product and weight) LVF-14B-D two head vibratory filler Up to 9 c/min (depending on product and weight)
Product diameter size	Max. 1 x 1 x 1 inches
Installed power	LVF-14A-D: 2 kW LVF-14B-D: 4 kW
Voltage	3 x 480 V + E / 60 Hz
Air supply	90 PSI, (1/8" min)
Air consumption	0.04 ft ³ / cycle
Weight	One head filler: 661 lbs Two head filler: 1543 lbs
OPTIONS (More options are available, please contact Pattyn)	
Dimple plate execution	
Heating element to prevent condensation	

LVF-14 A-D



Machine height 94"

Machine height as reference only, depending on case dimensions.

**Accuracy depends on the product and capacity.
For more details or specific requirements, please contact us.**

Pattyn North America Inc.
N76 W30500 County Road Vv
Hartland, WI. 53029 - U.S.A

Ph +1 262-966-0300
Fax +1 262-966-0312
SalesUsa@pattyn.com



The description, pictures and information given have an indicative value. We reserve the right to make changes without notice. Information and content is property of Pattyn. For customized executions please contact Pattyn. LVF-14A/B-D 2021 - V01

PATTYN[®]

Turnkey solutions for industrial packaging.