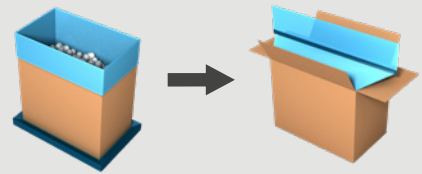


BAG DECUFFER SEALER DS-31

The **compact** DS-31 automatically decuffs, stretches and heat seals the bag.



COMBINE WITH
**THE CASE
CLOSER**

Protect your product

- The DS-31 guarantees a **perfect seal** to avoid contact between the product and carton.
- Thanks to the servo controlled environment, the DS-31 safeguards the quality of the liner.
- Minimal moving parts above the filled case.

Maximize your productivity

- Up to **15** cases/minute.
- **Big box range.**
- Quick format change.
- Maximum uptime by design and interconnectivity.
- **15" HMI** to facilitate operator convenience.

TECHNICAL SPECIFICATIONS

Perfect seal

- Improved stretcher movement ensures lower impact on case flaps.
- Intelligent stepper driven stretchers for correct film tension and tension release before sealing.
- Impulse heat sealing from both sides.
- Decuffer control for film detection (optional).
- Dust-free vacuum decuffing for maximum food safety (optional).

High speed

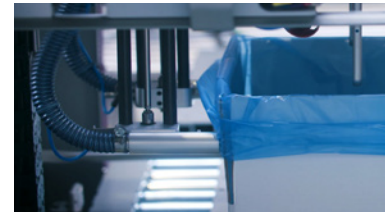
- Heavy duty roller conveyor and adjustable stopper system.
- Servo driven up and down movement of the sealing frame.

Hygienic balcony design, easy to clean

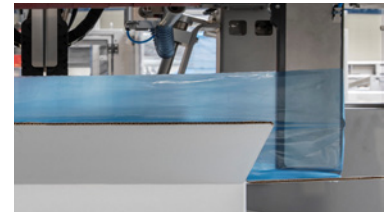
- Cleaning mode: to facilitate an improved cleaning accessibility.

Equipped with:

- 15" HMI for easy operation
- Remote access point (one per line).
- Mechanical bag decuffing



Vacuum bag decuffing (optional)



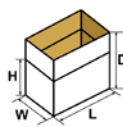
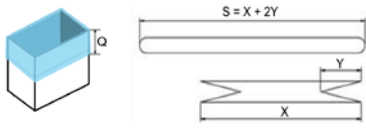
Decuffer control (optional)

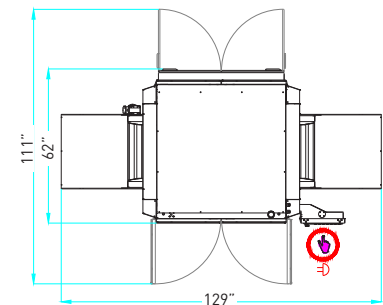


Bag leakproof sealing



15" HMI

CONTAINER SPECIFICATIONS (For other dimensions, please contact Pattyn)	
Type	Cases, trays
Range (L x W x H // D) inches	Min. 12" (L) x 8" (W) x 4" (H) Max. 26" (L) x 16" (W) // 25 1/2" (D)* * Trays minimum height 8"
	Outside dimensions
FILM SPECIFICATIONS	
Type	PE (LDPE, HDPE)
Thickness	As from 0.4 mil
	$S = X + 2Y$ $X = L + 5/8"$ $Y = (W + 1 1/4") / 2$ $S = \max 42 1/2"$ $L + W + 1 1/2" \leq S \leq L + W + 3 1/2"$ $5 1/2" \leq Q \leq 7"$
OUTPUT AND CONSUMPTION	
Output	Up to 15 c/min Up to 13 c/min for oils & fats
Installed power	7,5 kW
Voltage	3 x 480V + E / 60 Hz
Air supply	90 PSI, (1/2" min)
Air consumption	1 ft ³ / cycle
Weight	1760 lbs
OPTIONS (More options are available, please contact Pattyn)	
Perforation module	
Retractable stretcher plates	
Decuffer control on regussetting bars for film detection	
Automatic format change	
Vacuum bag decuffing	



Machine height 94"

Pattyn North America Inc.
N76 W30500 County Road Vv
Hartland, WI. 53029 - U.S.A

Ph +1 262-966-0300
Fax +1 262-966-0312
SalesUsa@pattyn.com



The description, pictures and information given have an indicative value. We reserve the right to make changes without notice. Information and content is property of Pattyn. For customized executions please contact Pattyn. DS-31 2021 - V01

PATTYN[®]

Turnkey solutions for industrial packaging.