



DS-11

# BAG DECUFFER SEALER

After filling, the DS-11 automatically uncuffs, stretches and seals the bag.



# DS-11

## PROTECT YOUR PRODUCT

- > The DS-11 guarantees a **perfect seal**.
- > Tamper evident.

## MAXIMIZE YOUR PRODUCTIVITY

- > Up to **15 cases / minute**.
- > Quick format change.

watch the video at [pattyn.com/na](http://pattyn.com/na)



frozen fish



preforms



powders & granulates



frozen bread



frozen food



semi-liquids



caps & closures



tobacco

# TECHNICAL SPECIFICATIONS



Mechanical bag decuffing



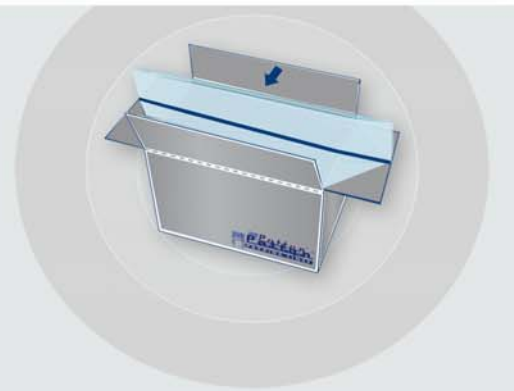
Decuffing finger



Bag leakproof sealing



Stretcher plate with decuffer control



## DS-11

### PERFECT SEAL

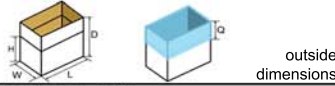
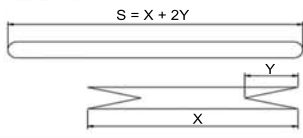
- > Stretching avoids wrinkles before sealing.
- > Impulse heat sealing from both sides.
- > Optional decuffer control for film detection.

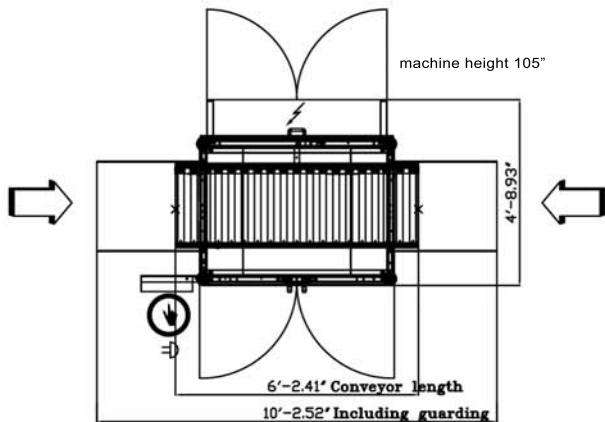
### HIGH SPEED

- > Heavy duty roller conveyor and stopper system for high speed case in- and outfeed.
- > Fast air evacuation before sealing.

### EQUIPPED WITH TOUCH PANEL FOR EASY OPERATION

### HYGIENIC DESIGN, EASY TO CLEAN

CONTAINER SPECIFICATIONS	
Type	cases, trays, boxes, crates
Range ( LxWxH // D) Inches	min. 11-13/16" (L) x 7-7/8" (W) x 5-1/8" (H) max. 23-5/8" (L) x 16-1/8" (W) // 25-5/8" (D)
 outside dimensions	
5-1/8" < H < 7 1/2"	Small adaptations
H < 5-1/8"	Case lift is necessary, reduce of output
W > 13" and 6-1/8" < H < 7 1/2"	Small adaptations
W > 13" and H < 6-1/8"	Box lift is necessary, reduce of output
FILM SPECIFICATIONS	
Type	Tubular film with gussets (sidefolds)
Thickness	>12 µm
	X = L+5/8" Y = (W+1 1/4")/2 S = max 42 1/2" W + L + 1 1/2" < S < W + L + 3 1/2" 5 1/2" < Q < 7"
OUTPUT AND CONSUMPTION	
Output	Standard 12c/min, up to 15c/min
Installed power	4 Hp
Voltage	3 x 480V + E / 60Hz
Air supply	87 lbs/Inch <sup>3</sup> , (1/2" min)
Air consumption	1 ft <sup>3</sup> / cycle
Weight	1760 lbs.
OPTIONS (more options are available, please contact Pattyn Packing Lines)	
> Colour touch panel	
> Fast machine: speed above 12 to 15 cases / minute	
> Gasflushing unit	
> Case lifter	
> Decuffer control on stretcher plates for film detection	
> DS-11 Max for bigger cases	min. 15 1/4" (L) x 10" (W) // 7 1/2" (H) max. 31 1/2" (L) x 19-11/16" (W) // 25-5/8" (D)
> Output DS-11 Max	Up to 8 cases / minute



[pattyn.com/na](http://pattyn.com/na)

Pattyn North America, LLC / W300 N9083 CTY E / Hartland, WI. 53029 / U.S.A. / Ph & F +1 262 727 7040 / [info@pattyn.com](mailto:info@pattyn.com)

The description, pictures and information given have an indicative value. We reserve the right to make changes without notice. Information and content is property of Pattyn Packing Lines. For customised executions please contact Pattyn Packing Lines. DS-11 2011 - V03